

EDU-VET

**Curriculum and Online Course Meeting
16th- 18th of March 2021**

Project Number: 2019-1-DE02-KA202-006068

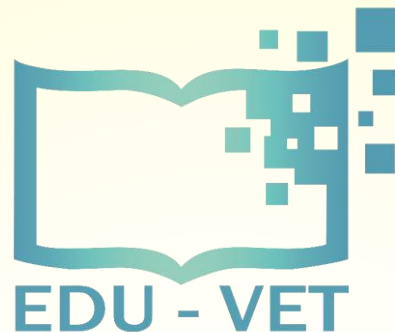


EDU-VET

E-Learning, Digitisation and Units for Learning at VET schools –
Creating online Learning Environments in Technical Education for
European metal industry

Current Status - SBEOG

-1-



EDU-VET

Current Status - SBEOG

EDU-VET
Curriculum and Online Course Meeting
16th- 18th of March 2021

Project Number: 2019-1-DE02-KA202-006068





EDU_VET



**Graafschap
College**

altijd een + punt

(Gert André)

Mayk Wienhots

Carolien Laeijendecker

Stanley Willemsen

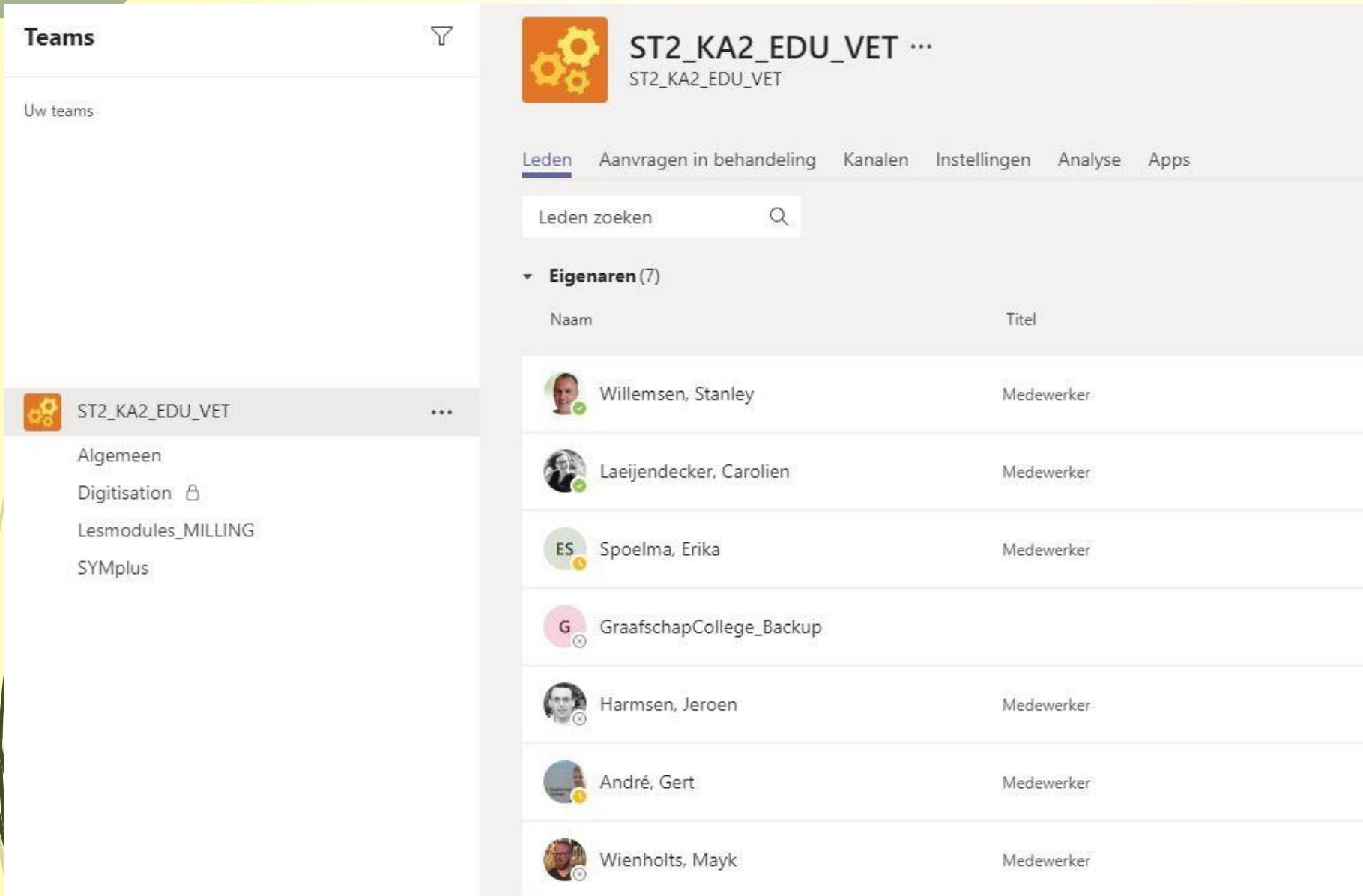
Today's updates are on these topics:

- 1 Teams
- 2 Chapter 3 Digitisation
- 3 Milling SYMplus
- 4 Update on IO4 Handbook
- 4
- 5



1 Teams

-5-



The screenshot displays the Microsoft Teams interface. On the left, the 'Teams' sidebar shows the selected team 'ST2_KA2_EDU_VET' with a gear icon. Below it are links for 'Algemeen', 'Digitisation', 'Lesmodules_MILLING', and 'SYMplus'. The main area shows the team's details, including the name 'ST2_KA2_EDU_VET' and a search bar for members. A list of team members is shown under the 'Eigenaren (7)' section, with columns for 'Naam' and 'Titel'.

Naam	Titel
Willemsen, Stanley	Medewerker
Laeijendecker, Carolien	Medewerker
Spoelma, Erika	Medewerker
GraafschapCollege_Backup	
Harmsen, Jeroen	Medewerker
André, Gert	Medewerker
Wienholts, Mayk	Medewerker



-6- 2 Chapter 3 Digitisation

TOPICS

Introduction

Gamification

New Media

VR & AR

Internationalisation

Knowledge
Management

Companies

Ch€ap

Teamwork

Source OCR XML

Mobile first

Fewer real machines

IP camera Stream

Place independent

21 century skills

Simulation & Digital
Twinning

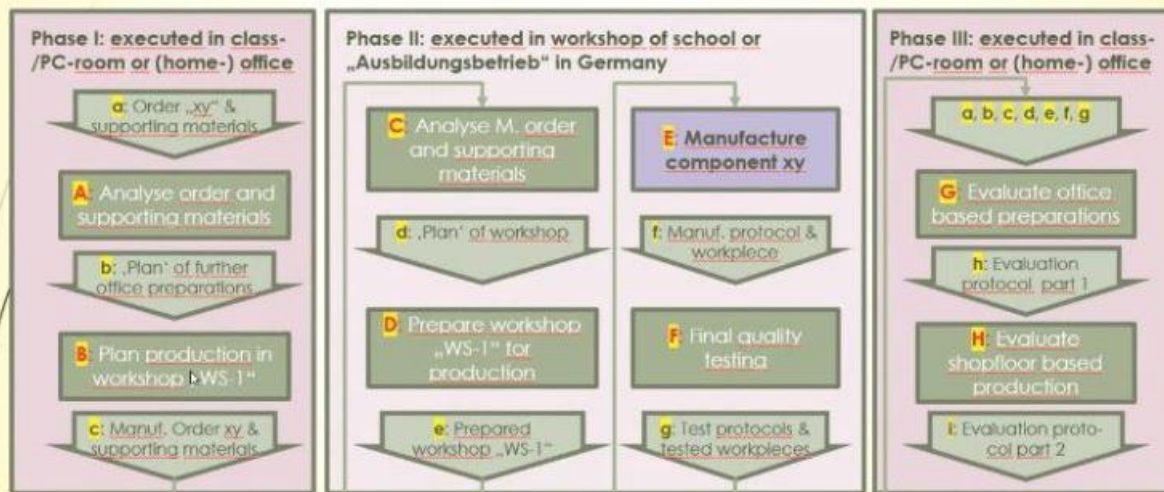
Conclusion



-7-3 Milling SYMplus

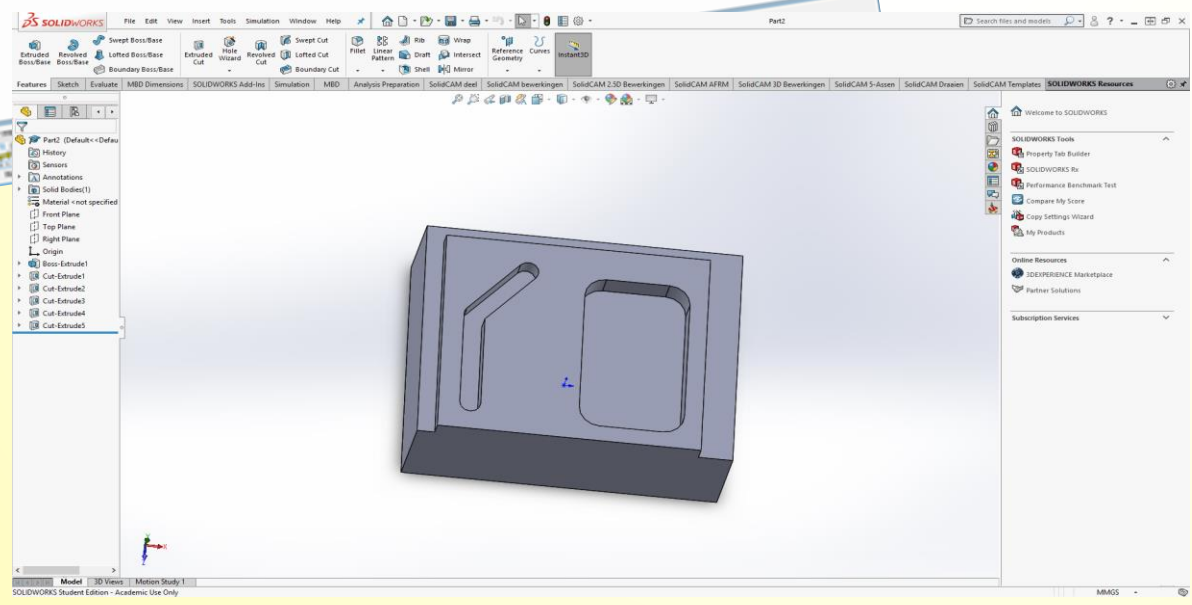
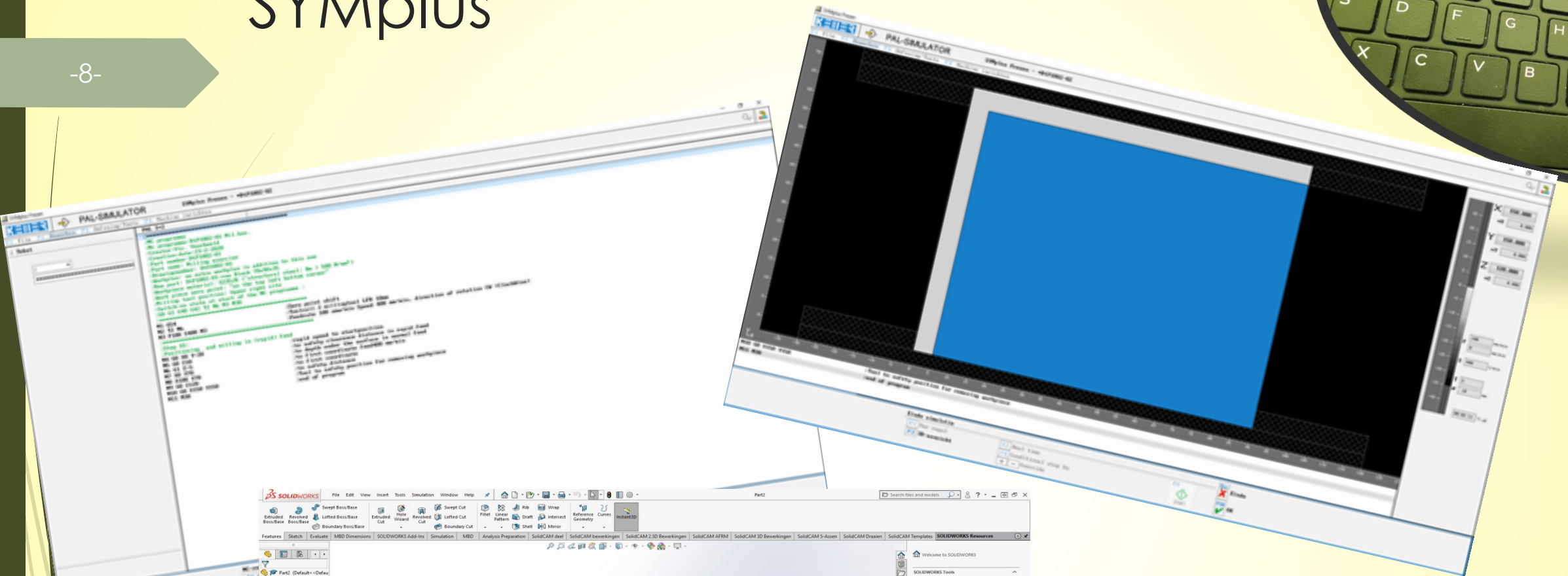


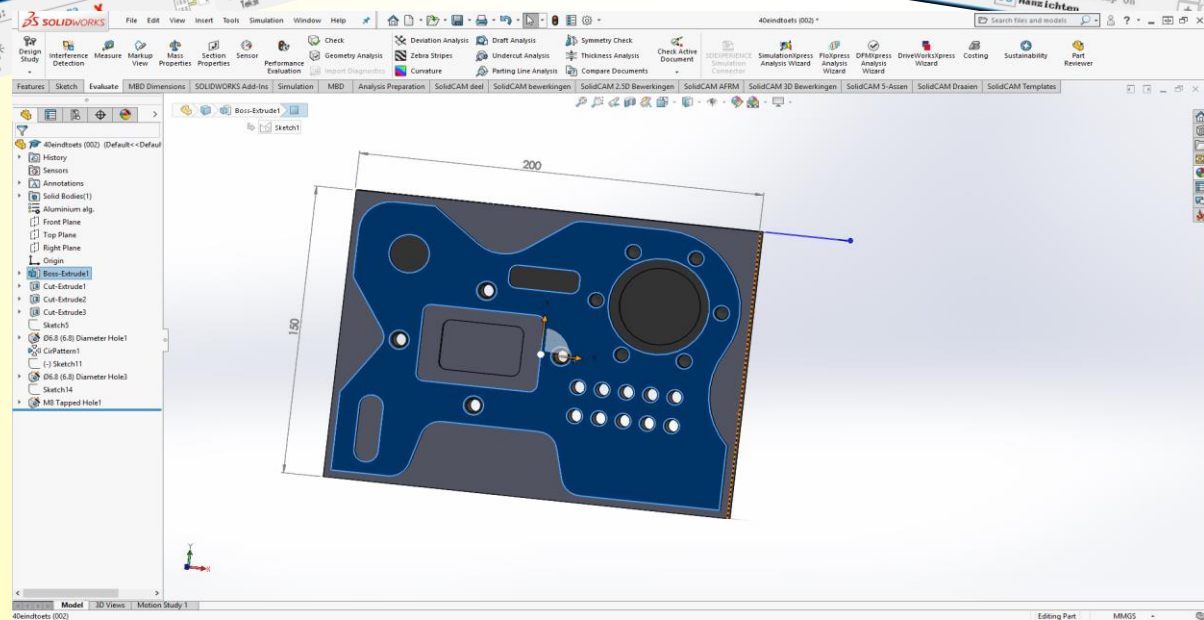
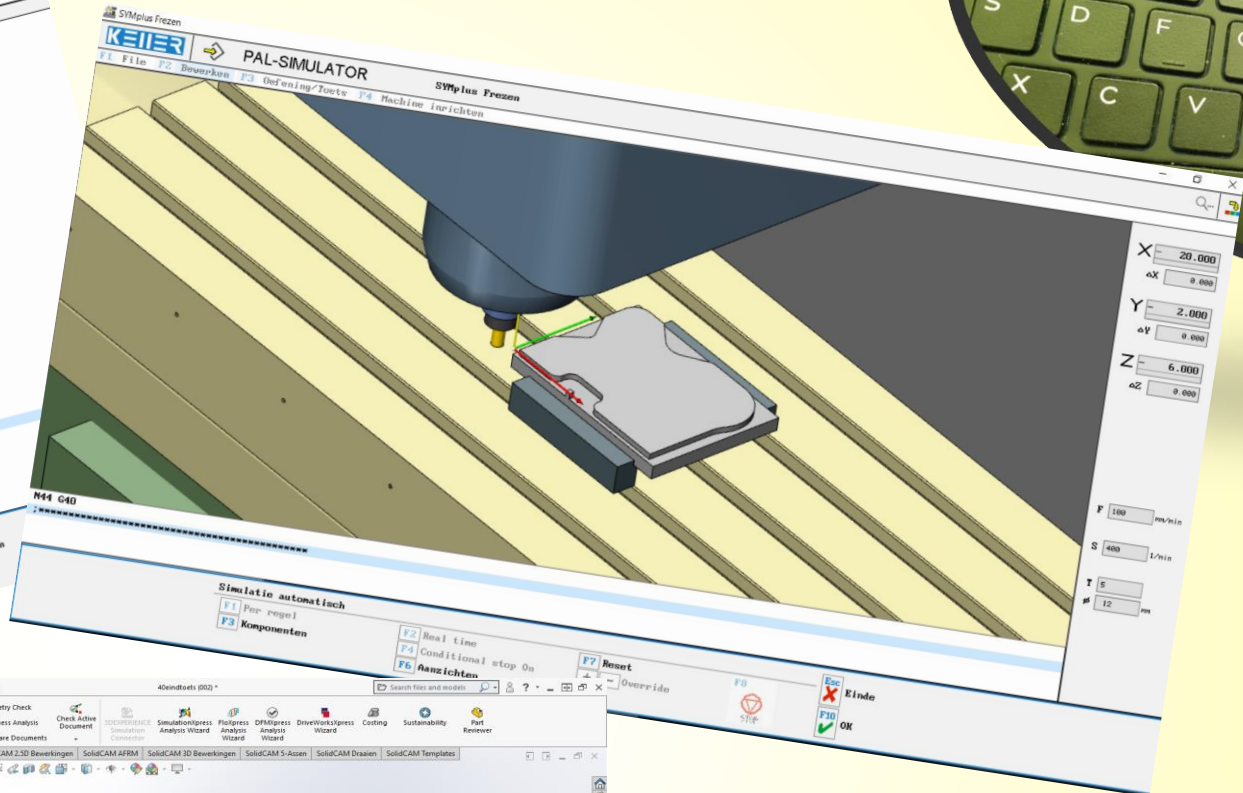
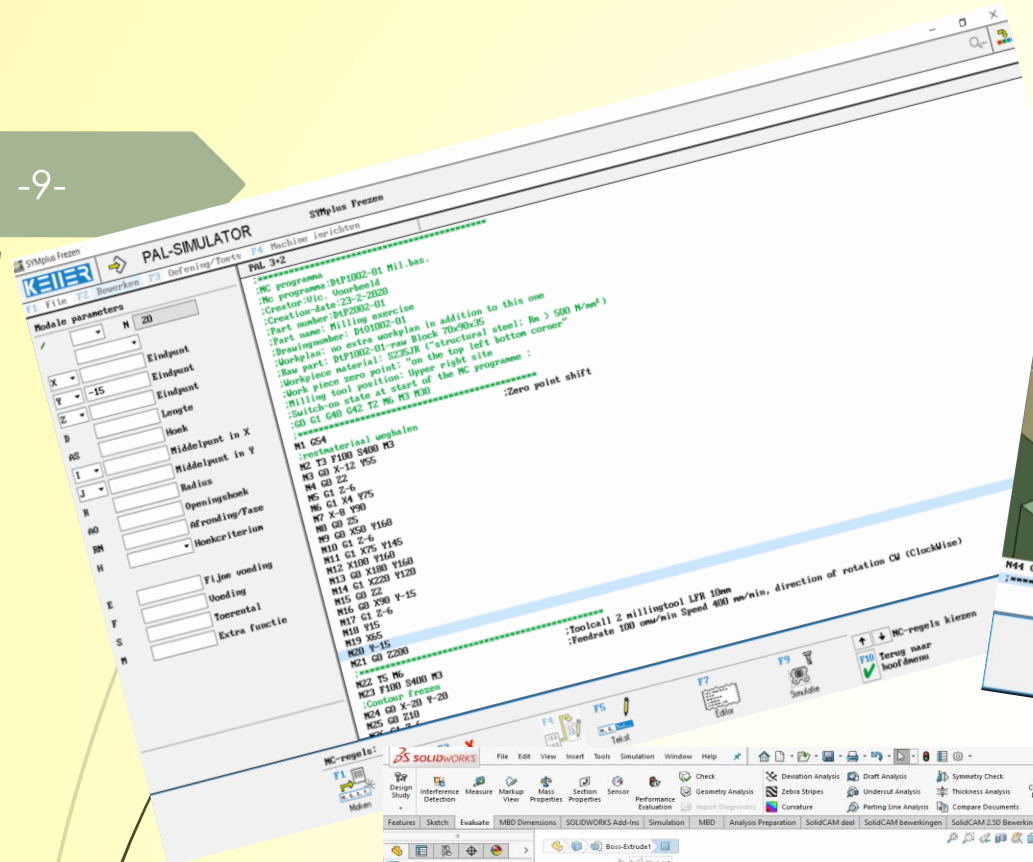
The EDU-VET process model describes a manufacturing process. An event initiates the execution of a process step. The execution of the process steps leads to the events of step is completed and step outcomes are ready.



SYMplus

-8-





NR 4 Handbook & Guidelines for teachers

An update on IO4, the Handbook:

- All chapters have been distributed to partners
- Deadline for writing chapters is May 12
- Graafschap College will match all chapters in May
- Translation of Executive Summary into German, Spanish and Dutch will be done by August 2021
- InDesign layout deadline September 2021 (IK)
- Framework for writing guideline concept ?? (SBEOG) deadline January 2021
- Writing guideline concept for teachers (all partners) deadline July 2021

- Please use the draft version format and lay out
- Please provide high resolution images, JPG or BMP only
- Don't forget to take pictures or video's of your metal workshop to use

-11- NR 4 Handbook

- P1 University Paderborn (UPB), DE
- P2 Ingenious Knowledge GmbH (IK), DE
- P3 Berufskolleg Bocholt-West (BKBW), DE
- P4 Lancaster and Morecambe College (LMC), UK
- P5 Centro Integrado de Formación Profesional Someso (CIFP), ES
- P6 Stichting BE Oost-Gelderland (SBEOG), NL

<C:\Users\c.laeijendecker\OneDrive - Graafschap College\Internationalisering\KA2 projecten\EDU VET metaal\Handboek IO 4\IO4-EDU-VET-Handbook structure and distribution.docx>



The End

Gert André

Mayk Wienhots

Carolien Laeijendecker

Stanley Willemsen



This project is funded by
the European Union

EDU_VET



Do you have any questions?

Contact

Marc Beutner

University Paderborn, Warburger Str. 100

33098 Paderborn, Germany

Marc.Beutner@uni-paderborn.de

[http://wiwi.uni-paderborn.de/departments/
wirtschaftspaedagogik-prof-beutner/](http://wiwi.uni-paderborn.de/departments/wirtschaftspaedagogik-prof-beutner/)